

CORRECT ANTENNA PLACEMENT



Good locations for iBurst device



Bad locations for iBurst device



Signal from Base Station



Badly reflected signal



Good quality signal

PLEASE NOTE:

- * Multiple Signal reflecting off other building's or surface degrades the quality of signal.
- * Line of sight to a Base Station is always preferred.

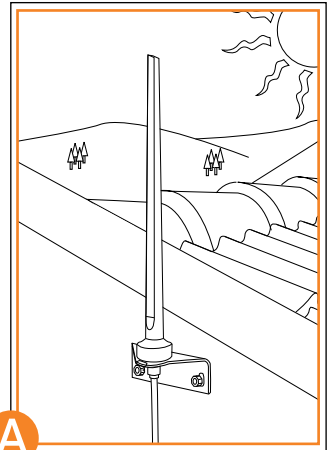
IF YOU RECEIVE THE BEST SIGNAL ON THE OPPOSITE SIDE OF THE PREMISES TO WHERE CONNECTIVITY IS REQUIRED, THEN TRY EITHER OF THE FOLLOWING

- 1) Install a wireless router and connect to this via your computers wireless network interface.
- 2) Lay an Ethernet network cable (straight configuration) to the preferred location and use the ethernet network adaptor on the iBurst device for connectivity.
- 3) Move your computer equipment to the preferred location.
- 4) Additional RF Extensions can be added to the standard 5m supplied. These are in lengths of 5m or 10m each. This is recommended as a last resort as additional cable results in a reduction in the signal quality received.

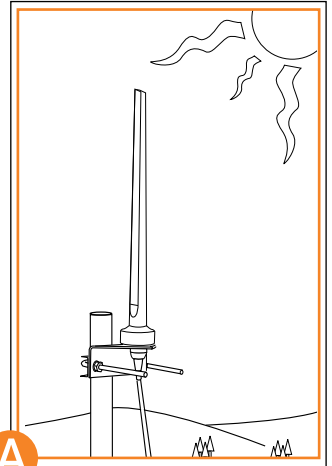
TIPS ON INSTALLING YOUR ANTENNA

1. Preferably the antenna needs to be mounted externally and on a solid surface, using the supplied plugs and screws or onto a TV pole.
2. The antenna needs to be mounted vertically (tip of the antenna pointing to the sky and connector facing down as in the photo). (See A)
3. The black LMR cable must not be torn, sharply bent (90°) or pinched at all as this can cause RF leakage and you will experience a degradation of signal quality and speeds.
Connect the one end of the pigtail supplied (screw on side) to the RF extension and the other side (clip side) to the modem connector port. (See B)
4. You may need to vary the height and placement of the antenna in order to overcome any obstacles that may be blocking you from getting your best speeds. RF extension cables are available if you need to go longer than 5m, however it is not recommended that you go beyond 15m in total.
5. Allow for adequate lightning protection by earthing your antenna. You may need to consult an electrician for this.
6. A good, simple way to check if you have improved speeds is to use the speed test from the iBurst web site. Make sure to take a reading before you connect the antenna and again after you connect just to compare. Always remember your maximum speed achievable is based on the coverage of the area you are in and the overall quality of the signal.

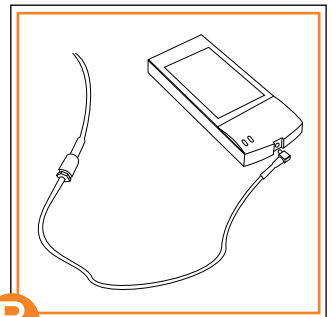
Check your best speed expectancies online on our homepage www.iburst.co.za and select the coverage option.



A



A



B

For professional installations of your antenna, contact iBurst or your service provider to arrange an appointment. Details of resellers that do installations are viewable on our website.